

45 x 45 mm F08 Inlay/Label

This inlay meets with ISO14443A standard, operating frequency is 13.56MHz. Each inlay has a unique ID and stores user data. It is applied to equipment tracking, IT assets management, library management, dangerous goods management, etc.

Physical Features:

Antenna Size:	45 x 45 mm
Wet Inlay/Label Size:	50 x 50 mm(customized)
Label Material:	Coated Paper/PET/Fragile Paper
Working Temp:	-40~+85°C
Storage Temp:	23 ± 3°C
Storage Humidity:	50 ± 15%RH

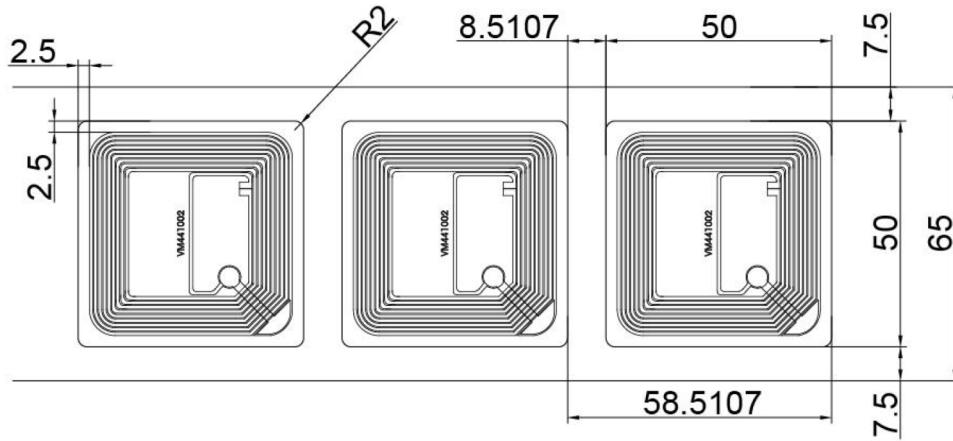
RFID Features:

RFID Standard:	ISO14443A
Chip Type:	FM11RF08
Memory:	1024 bytes
Read Range(Fixed Reader):	0~10 cm

Other Features:

Data Storage:	> 10 years
Re-write:	100,000 times
Customization:	Logo, barcode/QR code, number printing, encoding, design, etc.
Package:	Reel core inner dimension: 76.2mm / 3(in), Outside diameter < 220 mm / 8.7(in), 1000-5000pcs/roll, 4 rolls /carton
Application:	<ul style="list-style-type: none"> • IT asset Tracking • Library management • Document tracking management • Dangerous goods management, etc

Dimensions:



Application:

